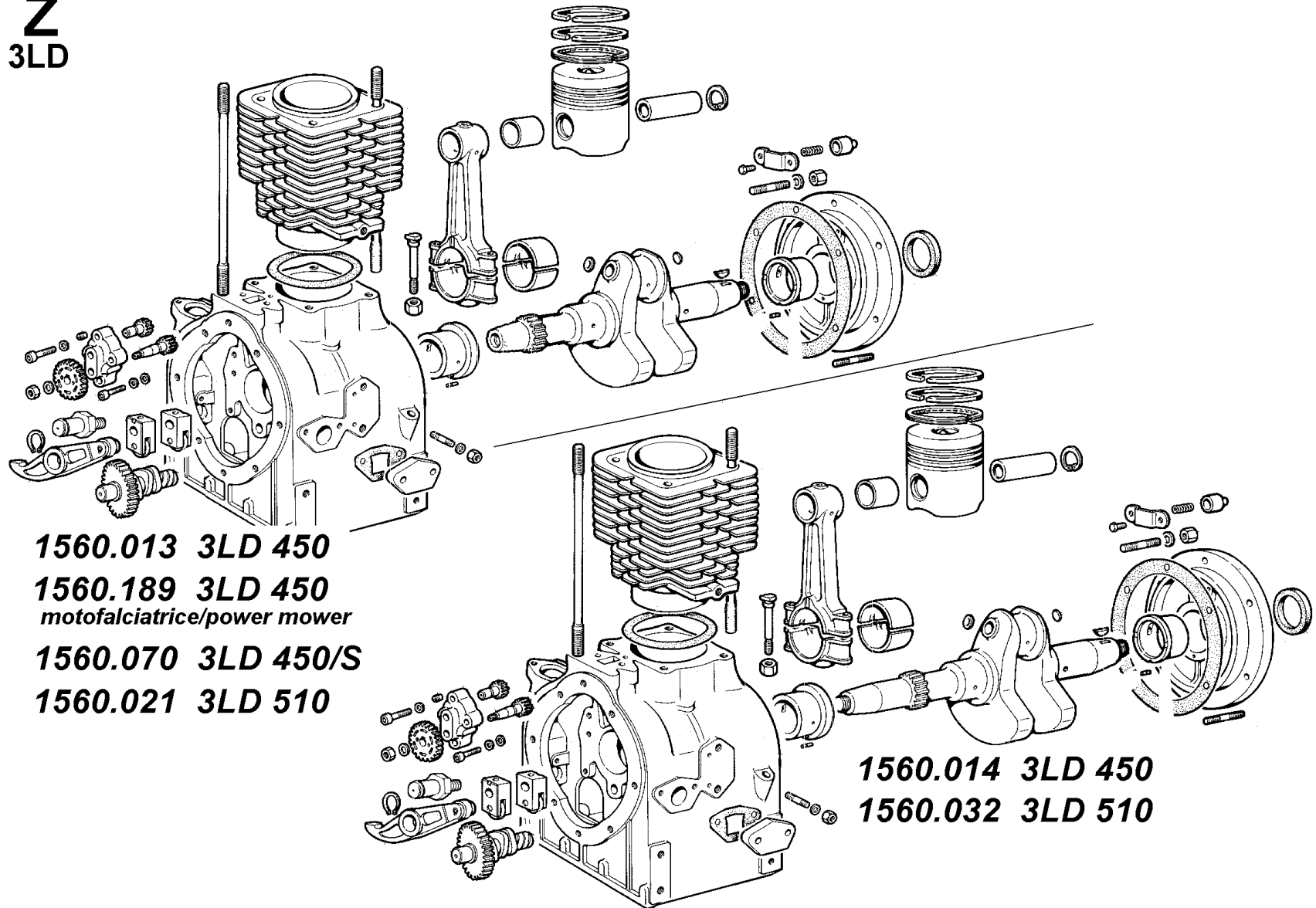




**SHORT BLOCK**

POS.	CODE	DESCRIPTION	Qty
1	1560.021	short block automotive version	1
1	1560.032	short block industrial version	1

**Z**  
**3LD**



**1560.013 3LD 450**

**1560.189 3LD 450**  
*motofalciatrice/power mower*

**1560.070 3LD 450/S**

**1560.021 3LD 510**

**1560.014 3LD 450**

**1560.032 3LD 510**