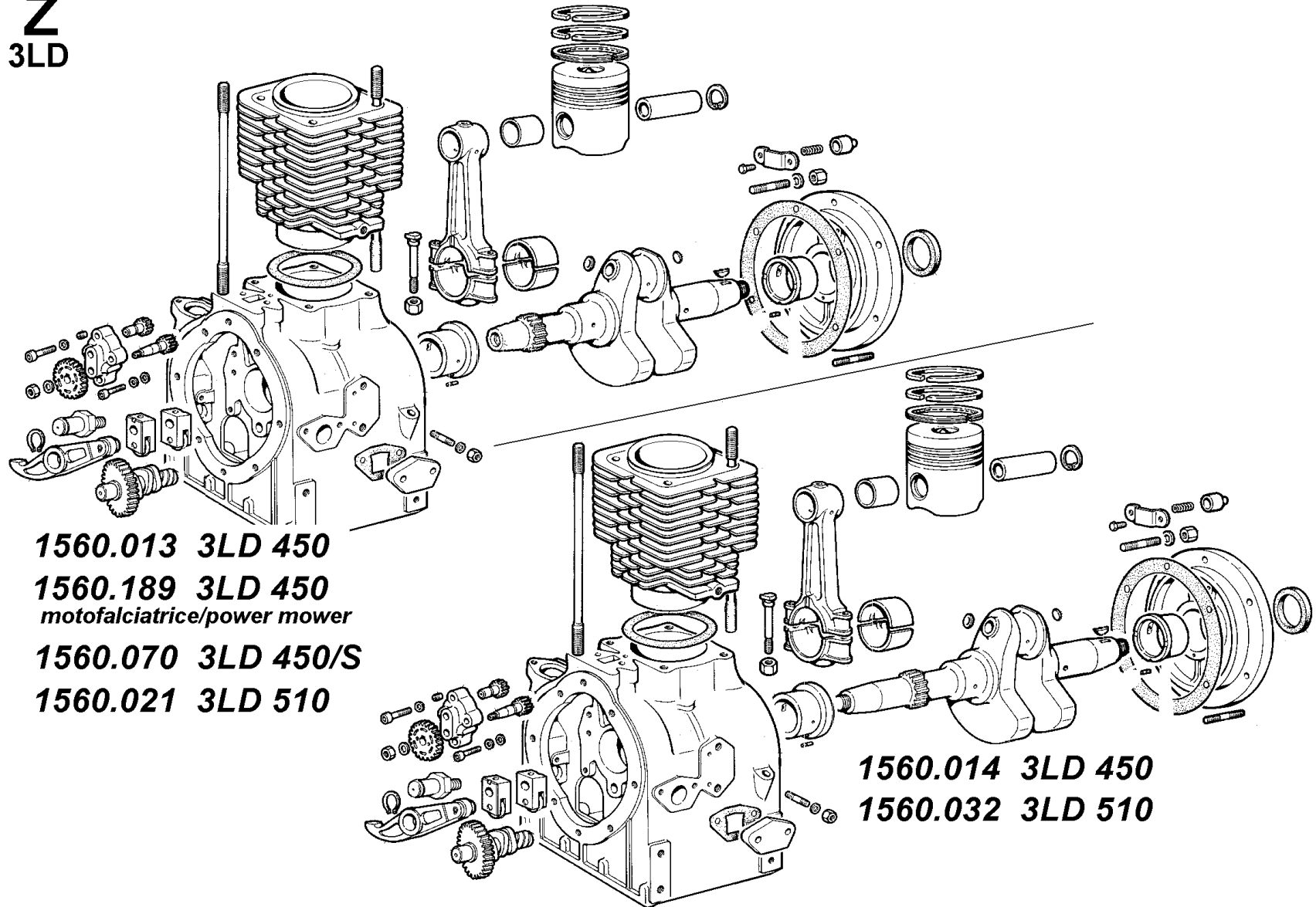


**SHORT BLOCK**

POS.	CODE	DESCRIPTION	Qty
1	1560.021	short block automotive version	1
1	1560.032	short block industrial version	1

Z
3LD



1560.013 3LD 450

1560.189 3LD 450
motofalciatrice/power mower

1560.070 3LD 450/S

1560.021 3LD 510

1560.014 3LD 450

1560.032 3LD 510